

ILLUMINATION

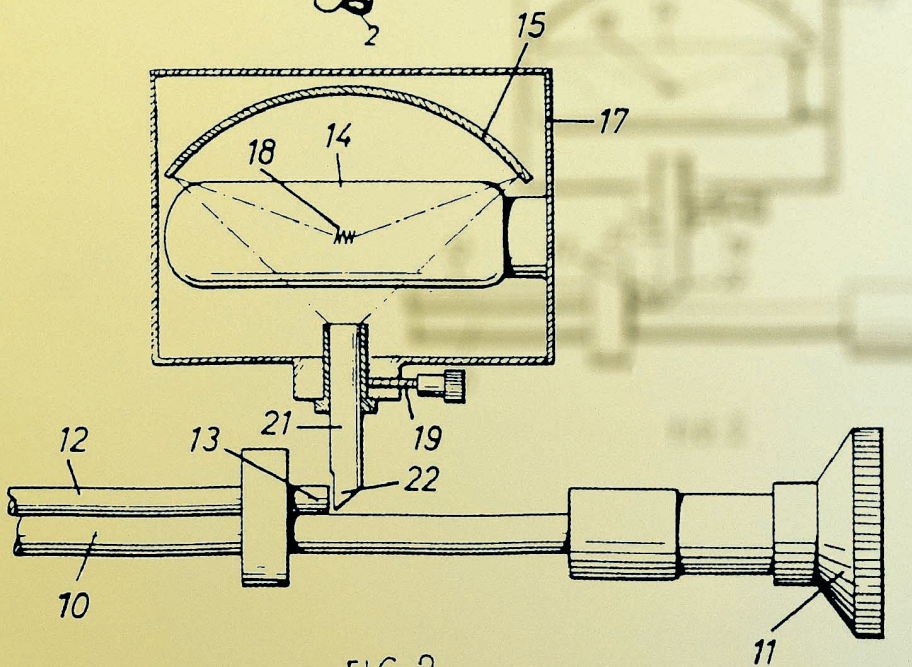


FIG. 2

Portable Cold Light Projector 20 Watt/8 Volt

Battery driven, rechargeable

The **81483N** operates off of DC power for maximum portability. The 20 watt halogen bulb technology with specially designed reflector provides maximum brightness and field portability. The quick change, rechargeable battery and low power consumption allow for 2 hours of continuous use in the field.

Technical Specifications:

Type of lamp:	Halogen reflector lamp, 20 W/8 V
Dimensions:	4.3" x 7.8" x 7.8" 110 mm x 200 mm x 200 mm (W x H x D including handle)
Weight:	8.3 Lbs. / 3.1 kg
Service life:	maximum approx. 2 hours
Design:	conforms to IEC 601-1



- 81483 N **Cold Light Projector** 20 Watt/8 Volt,
power supply: 8 V/3.8 Ah
including:
- 81483 LN **Spare Lamp Module**, with
Halogen reflector lamp 20 W/8 V
 - 81483 BN **Battery Component**, with
2 rechargeable batteries
 - 81483 G **Carrier Belt**, adjustable,
length approx. 130 cm

Accessories:

- 81483 BS **Battery Charger**
primary 230 V/50 Hz, secondary 8 V/800 mA
- 81120 **Halogen Spare Lamp** 20 W / 8 V
Replacement batteries 8 V

Portable Cold Light Projector XENON 25

The **81130** Xenon AC/DC light source is the brightest smallest transportable unit available. This portable powerful Xenon lamp provides exceptionally bright illumination. The 81130 utilizes a dynamic bulb design which maximizes brightness and portability. The quick change rechargeable battery and low power consumption all for 2 hours of continuous in the field use.

Technical specifications:

Type of lamp: XENON 25 W lamp
 Dimensions: 4.7" x 7.8" x 6.7"
 120 mm x 200 mm x 170 mm
 (W x H x D including handle)
 Weight: 8.3 Lbs. / 3.8 kg
 Service life
 (Battery life): approx. 1 hour
 Design: corresponds to IEC 601-1



Unit for battery operation

- 811305 01 **Cold Light Projector XENON 25**,
 25 W-XENON lamp,
 power supply: 12 V
 including:
 81130 520 **Lamp Component**, with
 XENON lamp 25 W
 81130 530 **Battery Component**, with
 2 rechargeable
 batteries 12 V / 6,5 A,
 81483 G **Carrier Belt**, adjustable,
 length approx. 130 cm,

Accessories:

- 81 1305 32 **Battery Charger**, primary 230 V,
 50/60 Hz, secondary 12 V/1 A
 81 1305 32 C **Battery Charger**, primary 115 V,
 50/60 Hz, secondary 12 V/1 A
 81 1305 25 **XENON Spare Lamp 25 W**
Replacement batteries 12 V

The battery component 81130 530 can be subsequently exchanged for the mains adapter 81130 531.

Unit for mains operation

- 81 1305 02 **Cold Light Projector XENON 25**,
 25 W-XENON lamp
 power supply: 230 VAC
 including:
 400 A **Mains Cord** 4 m
 81130 520 **Lamp Component**, with
 XENON lamp 25 W
 81130 531 **Mains Adapter**,
 81483 G **Carrier Belt**, adjustable,
 length approx. 130 cm,

Accessory:

- 81 1305 25 **XENON Spare Lamp 25 W**

The mains adapter 81130 531 can be subsequently exchanged for battery component 81130 530.

Cold Light Projector 150 W / 220 V

The 150 Watt Halogen light source is our standard Cold Light supply. Exceptional illumination and reliability is what can be expected from this small industrial light source.

The **81472** features:

High output lightweight source, variable light intensity from 1-100 and built-in carrier handle.

Technical specifications:

Type of lamp:	Halogen lamp, 150 Watt
Light intensity adjust:	Infinitely variable
Power consumption:	81472 C 100-120v~, 50/60 Hz 81472 B 230-240v~, 50/60 Hz
Dimensions:	9.2" x 3.9" x 9" 235 mm x 100 mm x 230 mm (W x H x D)
Weight:	7 Lbs. / 3.2 kg
Design:	Conform to IEC 601-1,CE



- 81472 B **Cold Light Projector**, 150 Watt,
power supply:
230-240 V~, 50/60 Hz
including:
400 A **Mains Cord**, length 4 m
- 81472 C **Cold Light Projector**, 150 Watt,
power supply:
100-120 V~, 50/60 Hz
including:
400 B **Mains Cord**, length 4 m
- 81103 **Halogen Spare Lamp**, 150 watts, 15 Volt

Cold Light Projector TECHNO LIGHT™ 270

The Technolight features:

Maximum brightness, maximum durability, universal power supply for travel convenience, micro-processor auto light exposure, auto lamp monitor and switch over to self contained replacement.

Special features:

- High-intensity light due to 270 Watt metal-halide lamp with optimized KARL STORZ condenser system
- World power supply
- Light intensity infinitely variable, adjustable from 0-100%
- Integrated handle
- Shock resistant plastic casing
- Drip-water protected
- Light guide plug receptor for use with all manufacturers scopes and light guides

Technical specifications:

Type of lamp:	Metal-halide lamp, 270 watt
Colour temperature:	approx. 5600 K
Light intensity adjustment:	Infinitely variable
Dimensions: (W x H x D)	With plastic casing: 17.32" x 8.26" x 15.35" 440 mm x 210 mm x 390 mm without plastic casing: 12" x 6.1" x 9.2" 305 mm x 155 mm x 233 mm
Weight:	27.34 Lbs. / 12.4 kg w/plastic casing 14.77 Lbs. / 6.7 kg wo/plastic casing
Design:	Conform to CE, protection class 1



- 81 1235 01 **TECHNO LIGHT™ 270**
 consisting of
 81 1235 20 **Cold Light Projector TECHNO LIGHT™ 270**
 power supply: 110-240 V~, 40-400 Hz,
 world power supply with plastic protection casing
 80400 A **Mains Cord**



81 1235 01 A



81487 UO

Optional:

- 81 1235 01 A **TECHNO LIGHT™ 270**, as shown above,
 but without **plastic protection casing**

Accessories:

- 81 1235 21 **Spare Lamp**, 270 watt, 45 volts
 81487 UO **Universal adaptor**, for connecting
 Fiber optic light cables of the manufacturers
 Dyonics, CIRON-ACMI, Olympus, V. Müller,
 Eder, Stryker, KLI, Sparta, Richard Wolf

Cold Light Projector XENON 300

Special features:

- Extremely high light intensity with 300 watt XENON lamp.
- World power supply
- High color temperature over 6000 K corresponds to brightness of sunlight, therefore high visual and photographic clarity for color rendition.
- Light intensity continuously adjustable either manually or automatically by the camera's video output signal.
- Built-in antifog air-pump
- Display of lamp hours

Technical specifications:

Lamp type:	XENON lamp 300 watt.
Color temperature:	ca. 6000 K
Light intensity adjustment:	Continuously adjustable from 0 to 100%, either manually or automatically by the camera video output signal
Dimensions:	12" x 6.4" x 13.2" 305 mm x 164 mm x 336 mm (w x h x d)
Weight:	21 Lbs. / 9.6 kg
Certified to:	IEC 601-1, UL 544 listed



The **Xenon 300** features: Bright illumination utilizing an extremely high intensity lamp, world power supply for travel convenience, 6,000 degrees K burning temp for true imaging color rendition, manual or automatic light intensity adjustable from 0-100%, and digital display of lamp hours.

- 20 1331 01 Cold Light Projector XENON 300,** with built-in antifog air-pump, Power supply: 100–125 VAC/220–240 VAC, 50/60 Hz including:
80400 A **Mains Cord**
536 MK **BNC-Connecting Cable**, length 180 cm
610 AFT **Silicone Tubing Set**, autoclavable, length 250 cm
- 20 1330 27 XENON Spare Lamp Module**, with heat sink, 300 watt, 15 volt
- 20 1330 28 XENON Spare Lamp**, 300 watt, 15 volt, without heat sink.

Please note:

When selecting the appropriate fibreoptic light cable for your telescope, the correct fibreglass cross-section should be taken into consideration. The high illumination of large-diameter telescopes for example, is ineffective when using fibreoptic light cables with a smaller diameter.



Fluid Light Cable, diameter 5 mm active
Fluid Light Cable in robust industrial design

Designed for tough industrial operations with extra strong anti-buckling mechanism, steel housing, protective metal sleeve for the quartz rod component of the light plug.

- 81594 SA **Fluid Light Cable**,
9 mm tubing Ø, length 350 cm,
- 81594 SB **Same**, length 250 cm

The light is transmitted in fluid light cables, not via glass fibres but via special fluid contained in a light cable. Fluid light cables are stiffer than fibreglass light cables and must not be bent to the same extent. The light they transmit, however, is more intense than with fibreglass light cables with comparable diameter. This is why fluid light cables are more suitable for endoscopic photography, film and television pictures.

Accessorie:

- 81495 PW **Coupling device**, for connecting
2 Light Cables.

Fiber Optic Light Cables diameter 3.5 mm active,
for use with all KARL STORZ Telescopes

- 81594 GU **Fiber Optic Light Cable**, Length 350 cm
- 81594 GV **Same**, length 250 cm
- 81594 GW **Same**, length 180 cm
- 81594 GX **Same**, length 90 cm

Special fibreglass fibreoptic light guide, Ø 5 mm
active, for borescopes, diameter 8 mm or more.

Specially adjusted for larger fibreglass 8 mm cross-section borescopes, a considerably greater luminous intensity thereby being achieved. This fibreoptic light guide can easily be used with borescopes with a smaller diameter without, however, any additional benefits being achieved.

- 81594 GA **Fiber Optic Light Cable**, length 350 cm,
- 81594 GB **Same**, length 250 cm
- 81594 GC **Same**, length 180 cm
- 81594 GD **Same**, length 90 cm