

HM-TP52-3AXF/W-B2L Handheld Thermography Camera



HIKMICRO HM-TP52-3AXF/W-B2L is designed for temperature measurement to find invisible faults. It's equipped with a 256 × 192 resolution HIKMICRO thermal detector. The thermography ranges from -20°C to 550°C (-4°F to 1022°F). Which meets most situation. It helps the staff to quickly find the fault according to accurate temperature measurement of high temperature targets in the environment. Meanwhile it provides assistant decision and ensure safety. The device is mainly applied to various industries, such as building, HVAC, and auto industry.

Key Features

- Thermal resolution: 256 × 192 (49,152 pixels)
- NETD: < 40 mK (@ 25°C, F# = 1.0)
- Temperature measurement range : -20°C to 550°C (-4°F to 1022°F)
- Accuracy: Max. ($\pm 2^{\circ}\text{C}/3.6^{\circ}\text{F}$, $\pm 2\%$), for ambient temperature 15°C to 35°C (59°F to 95°F) and object temperature above 0°C (32°F)
- Measurement presets: Center spot, Hot spot, Cold spot, User Preset Point
- 25 Hz image frequency
- 3.2" LCD screen display
- Up to 8 hours continuous running

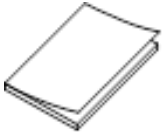
Specification

Thermal Module	
Image Sensor	Vanadium Oxide Uncooled Focal Plane Arrays
IR Resolution	256 × 192 (49,152 pixels)
Pixel Pitch	12 μm
Spectral Range	8 to 14 μm
NETD	< 40 mK (@ 25°C), F# = 1.0
Focal Length	3.6 mm
FOV (Field of View)	37.2° × 50.0°
Image Frequency	25 Hz
Focus	Fixed
IFOV (Spatial Resolution)	3.3 mrad
Aperture	F1.0
Minimum Focus Distance	0.3 m (0.98 ft)
Image Display	
Display	320 × 240 Resolution, 3.2" LCD Screen
Color Palettes	White Hot, Black Hot, Rainbow, Ironbow
Measurement and Analysis	
Object Temperature Range	-20°C to 550°C (-4°F to 1022°F)
Accuracy	Max. (± 2°C/3.6°F, ± 2%), for ambient temperature 15°C to 35°C (59°F to 95°F) and object temperature above 0°C (32°F)
Measurement Presets	Center Spot, Hot Spot, Cold Spot, Point Presets, Off
High Temperature Alarm	Audible and Visual Warning
Storage	
Storage Media	EMMC (4 GB)
Image Storage Capacity	30,000 Images
Image File Format	JPEG with Measurement Data Included
Functions	
LED Light	Yes
Wi-Fi	802.11 b/g/n (2.4GHz)
UVC Cast Screen	Yes
Level/Span	Auto/Manual
Power System	
Power Supply	3.7 VDC/0.4 A
Power Consumption	1.5 W
Battery Type	Rechargeable Li-ion Battery
Battery Operating Time	8 Hours Continuous Running
Battery Charging Time	3 Hours

General

Menu Language	21 Languages English, German, French, Spanish (Spain), Portuguese (Portugal), Italian, Czech, Slovak, Polish, Hungarian, Romanian, Dutch, Danish, Norwegian, Finnish, Swedish, Russian, Turkish, Japanese, Korean, Chinese (Traditional)
Working Temperature Range	-10°C to 50°C (14°F to 122°F)
Storage Temperature Range	-20°C to 60°C (-4°F to 140°F)
Protection Level	IP54
Drop Test Height	2 m (6.56 ft)
Interface	USB Type-C
Weight	Approx. 360 g (0.79 lb)
Dimension	221.7 mm × 73.5 mm × 80.6 mm (8.73" × 2.89" × 3.17")
Tripod Mounting	UNC ¼"-20

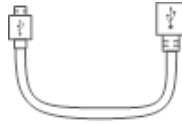
Package List



Quick Start Guide
(× 1)



Adapters (× 5)



USB Cable (× 1)



Power Adapter (× 1)

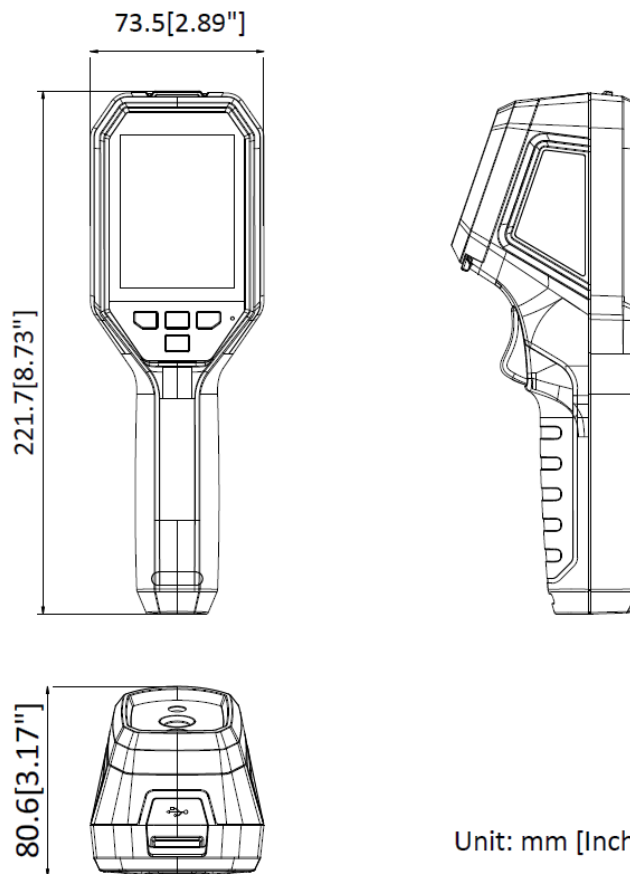


Wrist Strap (× 1)

Available Model

HM-TP52-3AXF/W-B2L

Dimension



COMPLIANCE NOTICE: The thermal series products might be subject to export controls in various countries or regions, including without limitation, the United States, European Union, United Kingdom and/or other member countries of the Wassenaar Arrangement. Please consult your professional legal or compliance expert or local government authorities for any necessary export license requirements if you intend to transfer, export, re-export the thermal series products between different countries.

